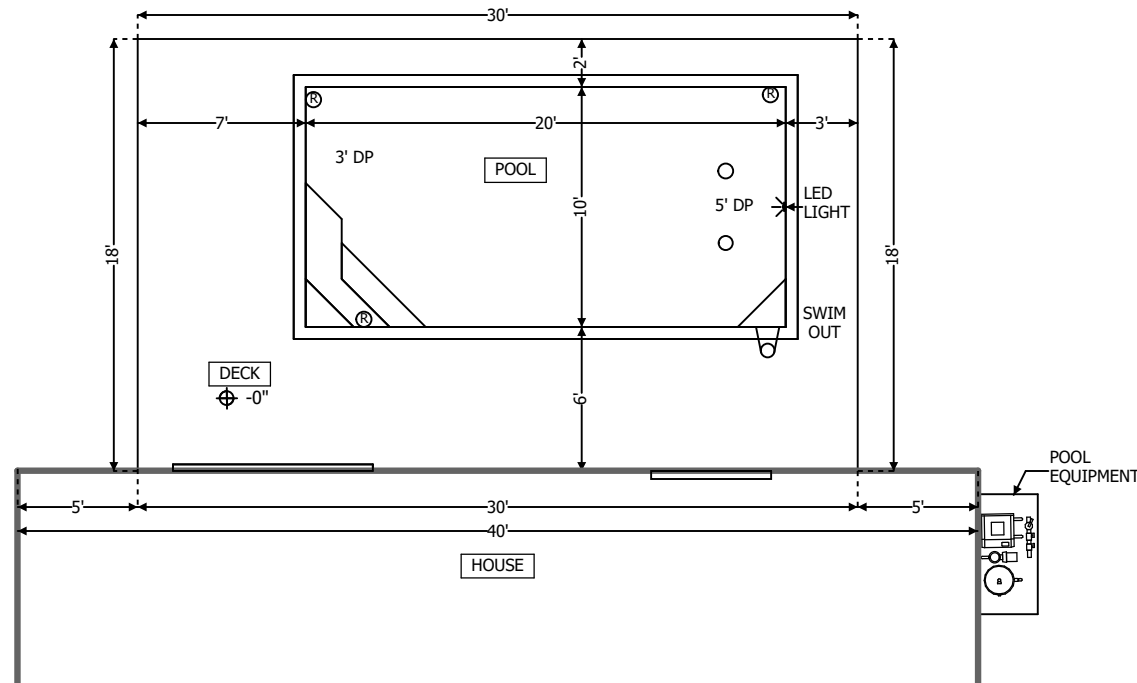


The pool will be equipped with a device certified to ASTM F2208 "Standard Safety Specifications for Residential Pool Alarms" which sounds an alarm upon defection of an accidental or unauthorized entrance into water.

#8 AWG BOND WIRE 4" - 6" BELOW
SUBGRADE 18" - 24" FROM POOL
BONDED @ 4 POINTS TO POOL
SHELL NEC 680.26(B)(2)(B)

SIGNATURE _____ DATE _____

FAMILY POOLS
JOB: POOL A
DRAWN: 08/18/21



CUSTOMER INFO

CUSTOMER NAME: POOL A
ADDRESS: _____
CITY/STATE/ZIP: _____
PHONE: _____ FAX: _____
CELL: _____
EMAIL: _____

POOL

LENGTH: 20' SQFT: 200
WIDTH: 10' PERIMETER: 60'
DEPTH: 3' - 5' LIGHTS: 1 LED
RETURNS: 3 TILE: TBD
INTERIOR MATERIAL: STONESCAPE
NOTES: _____

SPA

LENGTH: _____ SQFT: _____
WIDTH: _____ PERIMETER: _____
DEPTH: _____ LIGHTS: _____
RETURNS: _____ TILE: _____
RAISED HEIGHT: _____
INTERIOR MATERIAL: _____
NOTES: _____

PLUMBING

RETURNS: 3 SKIMMERS: 1
VAC LINES: N/A MAIN DRAINS: WATERWAY
CLEANING SYSTEM: N/A
WATER FEATURES: _____
NOTES: _____

DECK

DECK TYPE: TRAVERTINE ELEVATION: -4" HOUSE
TOTAL DECK SQFT: 340 PERIMETER: _____
RAISED BEAM: N/A MATERIAL: _____
LIP STYLE: _____
NOTES: _____

EQUIPMENT

POOL PUMP: HAYWARD 900 VS
FILTRATION: CRTG FILTER SIZE: #150
HEATER: TBD CHLORINATOR: TBD
TIMER: YES GAS: N/A
NOTES: _____

FAMILY POOLS

ADDRESS: 1843 BARBER RD
CITY/STATE/ZIP: SARASOTA, FL 34240
PHONE: (941) 345-6672 FAX: (941) 378-2002
EMAIL: rissler@gmail.com
DESIGNER: CHARLES RISSLER
ALTERNATE CONTACT: EARL RISSLER
LICENSE #: CPC1457329

SCALE: 1/8" = 1'-0"